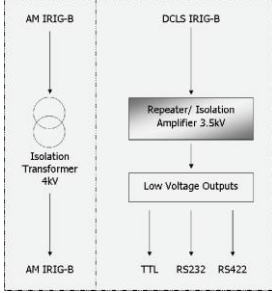
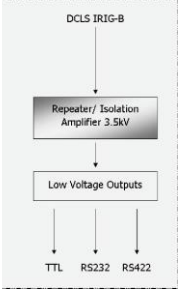
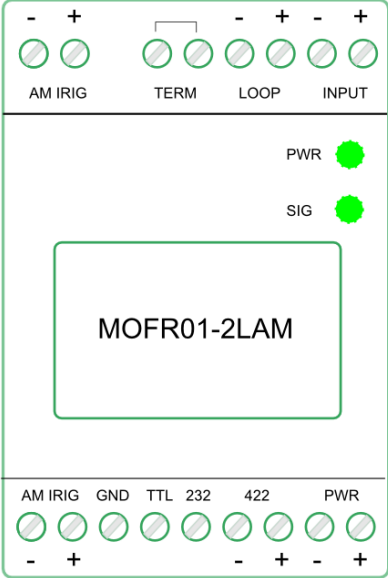
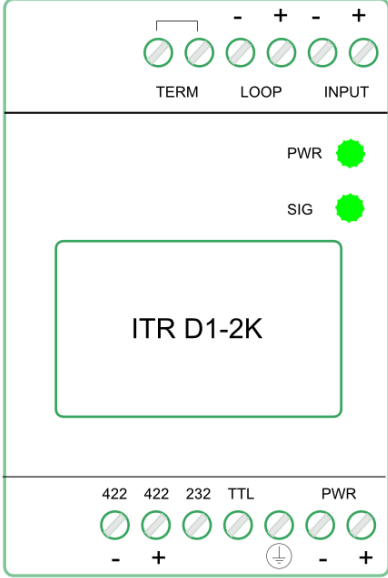
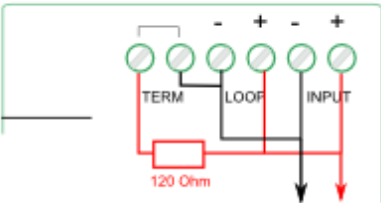



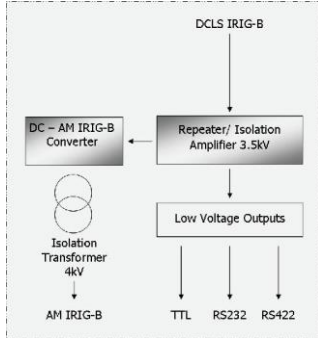
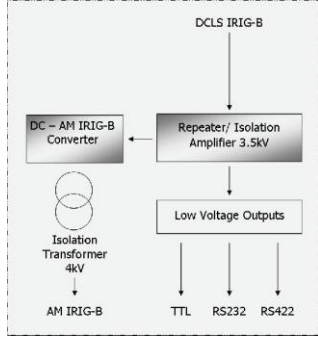
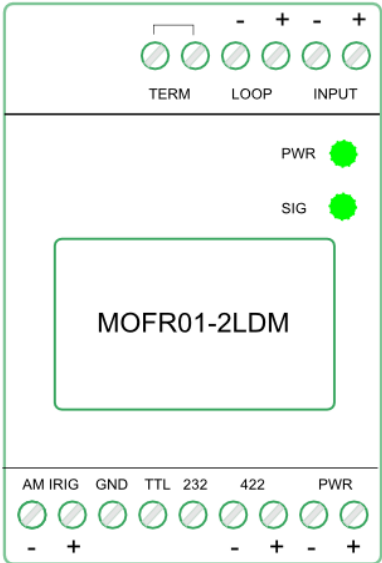
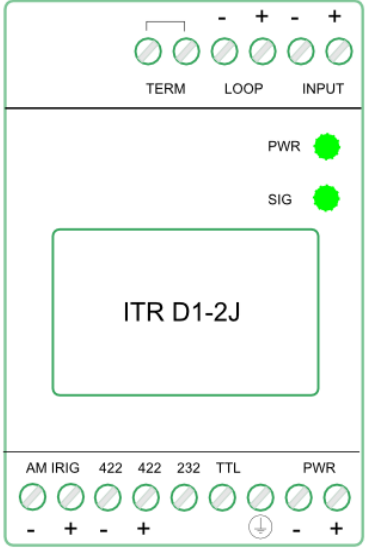
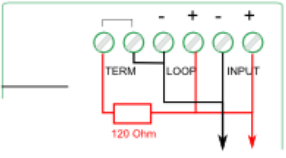

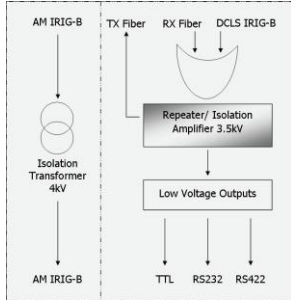
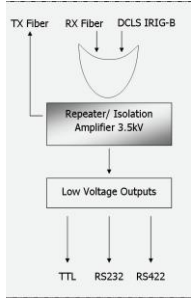
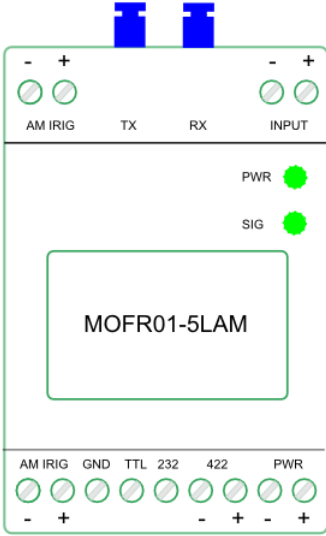
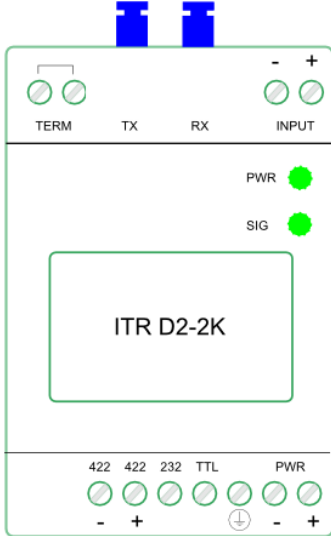
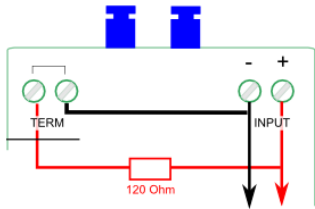


This document provides an overview of the main differences between the three most popular “Multi Output Function Repeater’s” (MOFR’s) and their closest “Isolated Time Repeaters” (ITR’s) replacement.

Product	MOFR01-2LAM	ITR D1-2K
Transpower Stock Code	C720023	C720023B
Input Burden	7 mA drain (at 5 V TTL)	2 mA drain (at 5 V TTL)
Input Logic Levels	Logic High Minimum Voltage = 2V Maximum level = 12V	TTL
TTL Output Drive	0-5 V, 75 mA	0-5 V, 150 mA
Power Supply	20-72 Vdc, 3 W	20-72 Vdc, 1.5 W
Functions		
Terminal Arrangement		
<p style="text-align: center;"><b>ITR D1-2K Input arrangement</b></p>  <div style="border: 1px solid black; padding: 5px; margin-top: 10px;"> <p><i>Note: Terminal identified with ground symbol is for power supply protection. It is also a common connection for TTL &amp; 422/232 outputs.</i></p> </div> <p style="text-align: center;"><b>Output connections</b></p> <div style="display: flex; justify-content: space-around; align-items: flex-end;"> <div style="text-align: center;">  <p>RS-422</p> </div> <div style="text-align: center;">  <p>RS-232</p> </div> <div style="text-align: center;">  <p>DCLS IRIG-B</p> </div> </div>		

Product	MOFR01-2LDM	ITR D1-2J
Transpower Stock Code	C720026	C720026A
Input Burden	7 mA drain (at 5 V TTL)	2 mA drain (at 5 V TTL)
Input Logic Levels	Logic High Minimum Voltage = 2V Maximum level = 12V	TTL
TTL Output Drive	0-5 V, 75 mA	0-5 V, 150 mA
Power Supply	20-72 Vdc, 3 W	20-72 Vdc, 1.5 W
Functions		
Terminal Arrangement		
<p style="text-align: center;"><b>ITR D1-2J Input arrangement</b></p>  <p style="text-align: center;"><b>Output connections</b></p> 		<div style="border: 1px solid black; padding: 5px;"> <p><i>Note: Terminal identified with ground symbol is for power supply protection. It is also a common connection for TTL &amp; 422/232 outputs.</i></p> </div>

Product	MOFR01-5LAM	ITR D2-2K
Transpower Stock Code	C720023A	C720023C
Input Burden	7 mA drain (at 5 V TTL)	2 mA drain (at 5 V TTL)
Input Logic Levels	Logic High Minimum Voltage = 2V Maximum level = 12V	TTL
TTL Output Drive	0-5 V, 75 mA	0-5 V, 150 mA
Power Supply	20-72 Vdc, 3 W	20-72 Vdc, 1.5 W
Functions		
Terminal Arrangement		
<p style="text-align: center;"><b>ITR D2-2K Input arrangement</b></p> 		<p><i>Note: Terminal identified with ground symbol is for power supply protection. It is also a common connection for TTL &amp; 422/232 outputs.</i></p>
<p style="text-align: center;"><b>Output connections</b></p> 